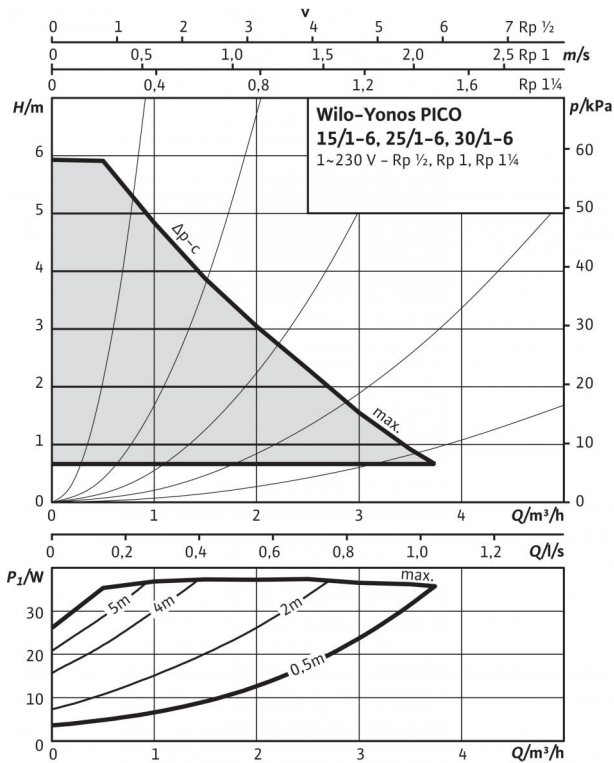
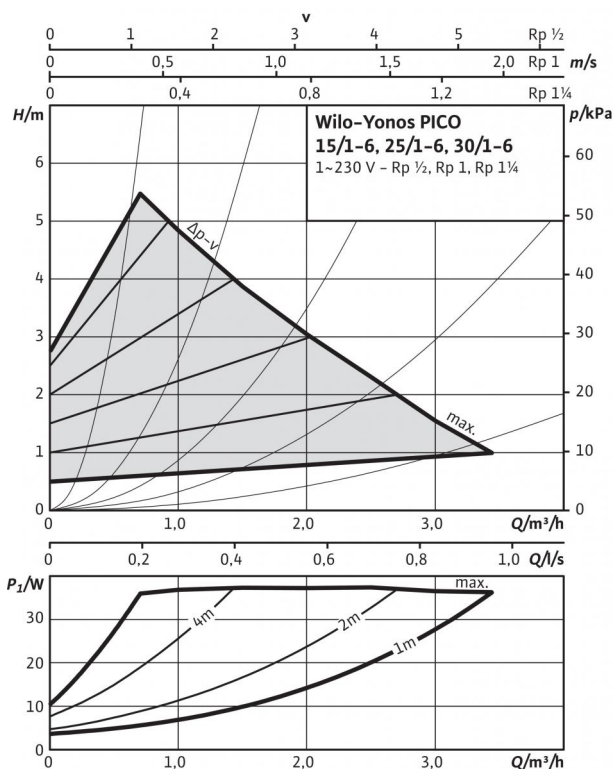


Data sheet: Yonos PICO 30/1-6

Pump curves Δp -c (constant)



Pump curves Δp -v (variable)



Approved fluids (other fluids on request)

Heating water (in accordance with VDI 2035)

Water-glycol mixtures (max. 1:1; above 20% admixture, the pumping data must be checked)

Permitted field of application

Temperature range at max. ambient temperature +25 °C

Temperature range at max. ambient temperature +40 °C

Maximum permissible operating pressure P_{max}

•
•

-10...+110 °C
-10...+95 °C
6 bar

Pipe connections

Threaded pipe union

Nominal flange diameter

Thread

Overall length L_0

Rp 1 1/4
DN 32
G 2
180 mm

Motor/electronics

Energy efficiency index (EEI)

Electromagnetic compatibility

Emitted interference

Interference resistance

Speed control

Protection class

Insulation class

Mains connection

Speed n

Rated power P_2

Power consumption P_1

Current consumption I

Motor protection

Screwed cable connection connector

≤ 0.20
EN 61800-3
EN 61000-6-3
EN 61000-6-2
Frequency converter
IP X2D
F
1~230 V, 50/60 Hz
800 - 4700 rpm
30 W
4 - 40 W
max. 0.44 A
Not required (blocking-current proof)
11 PG

Materials

Pump housing

Impeller

Pump shaft

Bearing

Grey cast iron (EN-GJL-200)
Plastic (PP - 40% GF)
Stainless steel
Carbon, metal impregnated

Minimum suction head at suction port for avoiding cavitation at water pumping temperature

Minimum suction head at 50 / 95 / 110 °C

0.5 / 3 / 10 m

Information for order placements

Make

Type

Art no.

Weight approx. m

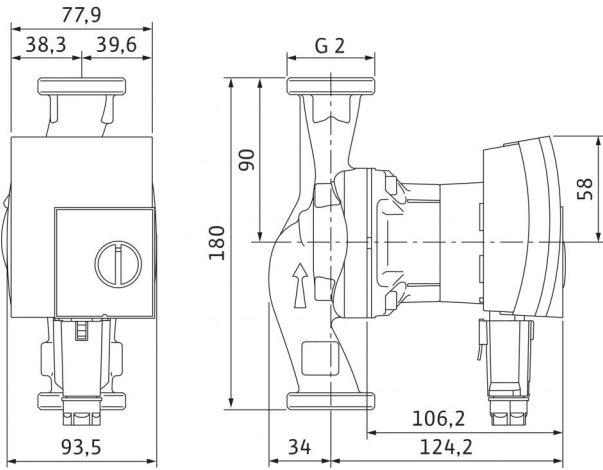
Wilo
Yonos PICO 30/1-6
4164034
2.15 kg

• = appropriate, - = not appropriate

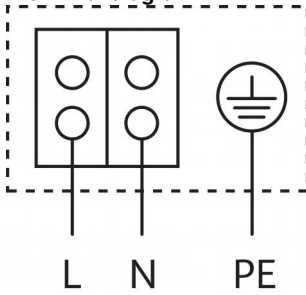
The benchmark for the most efficient circulators is EEI ≤ 0.20.

Data sheet: Yonos PICO 30/1-6

Dimension drawing



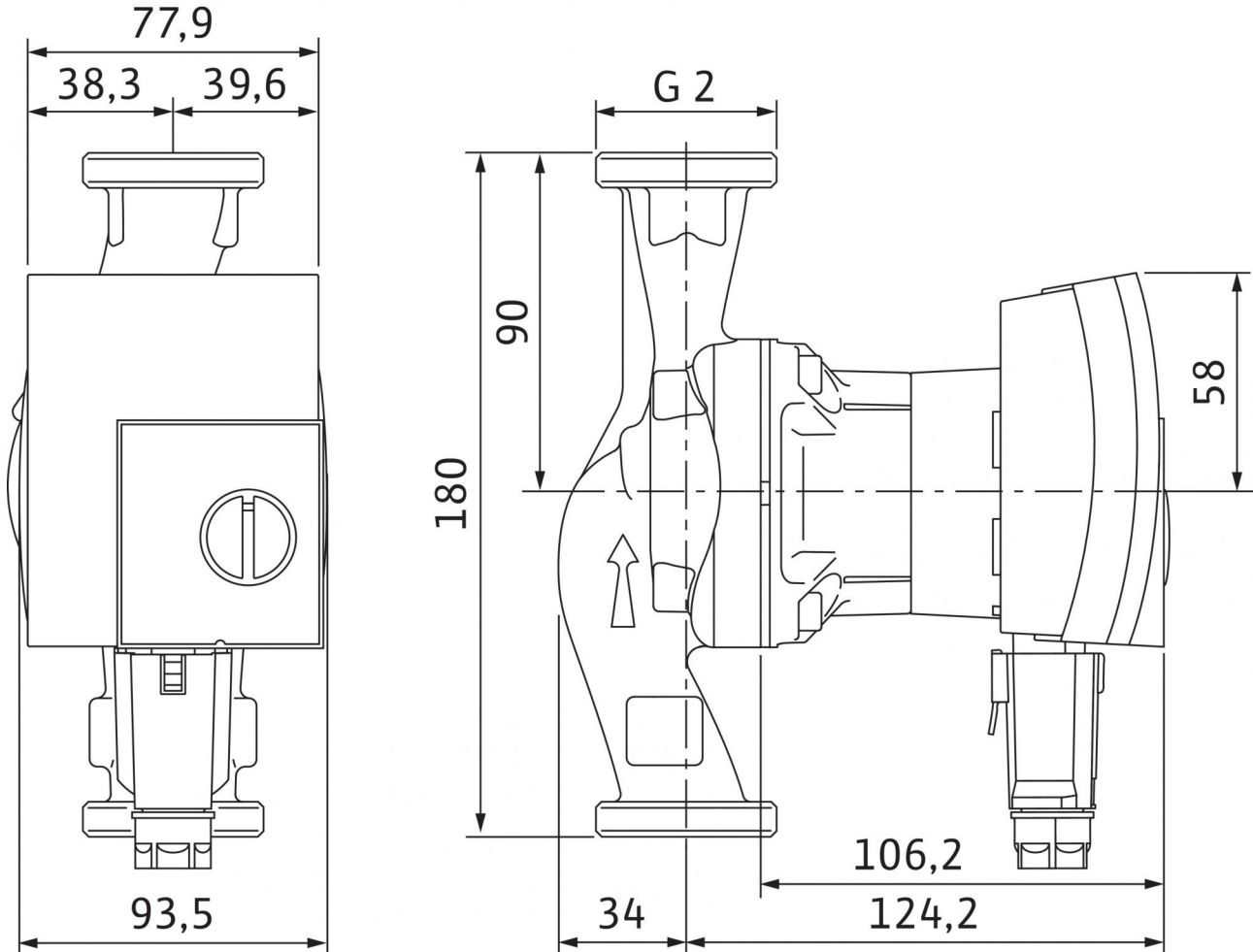
Terminal diagram



Blocking current-proof motor
Single-phase motor (EM) 2-pole - 1~230 V, 50 Hz

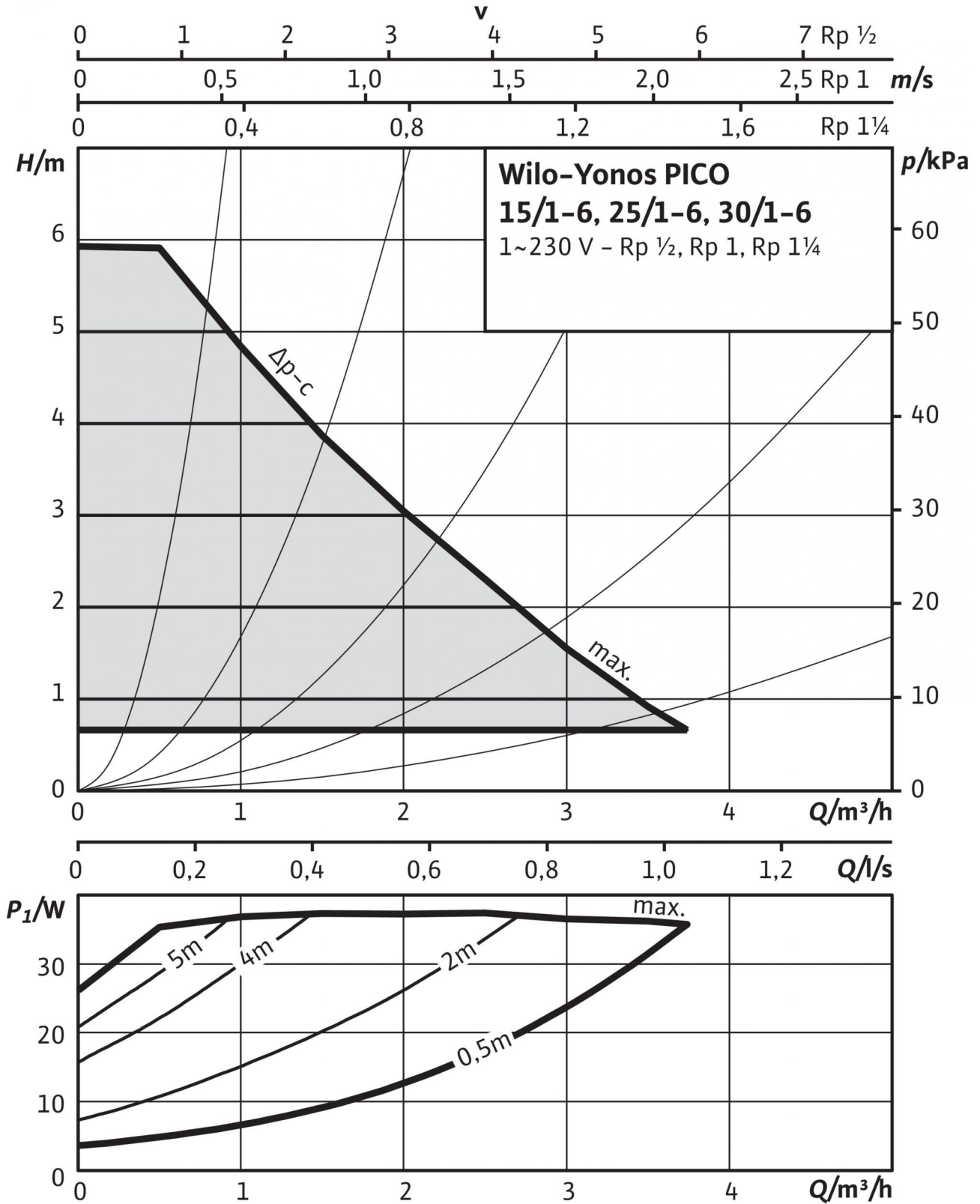
Dimensions and dimensions drawings: Yonos PICO 30/1-6

Dimension drawing



Pump curves: Yonos PICO 30/1-6

Pump curves Δp -c (constant)



Pump curves: Yonos PICO 30/1-6